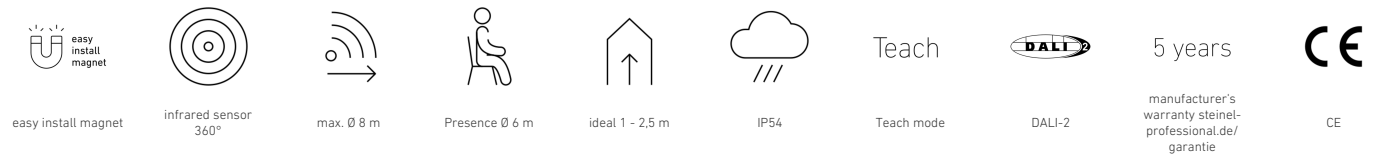


# PD-8 ECO

DALI-2 Input Device - Surface wiring black  
EAN 4007841 088149  
Article number 088149



## Function description

Motion detection, presence detection and light measurement for offices, meeting rooms, passageways and more – the 360° IR presence detectors are sensNORM-compliant and ideal for sensor-based standard requirements in public buildings. With COM1, KNX and DALI-2 IPD interface. With COM1 interface, key input and fully/semi-automatic mode. Motion detection range: Ø 8 or Ø 24 m. Presence detector function with Ø 6 or Ø 7.5 m detection zone. Includes insertable cover caps in a matching colour. For concealed wiring, surface mounting and recessed ceiling installation. Configuration and operation via Smart Remote control or potentiometer. Installation-friendly modular magnetic plug-in connection. LED feedback for safe commissioning. Mounting height max. 4 m. Parallel switching (up to 10 sensors). Switching output: 2000 watt or 500 watt (LED). In black or white.

# PD-8 ECO

DALI-2 Input Device - Surface wiring black  
 EAN 4007841 088149  
 Article number 088149



## Technical specifications

Dimensions (Ø x H)	129 x 65 mm
With motion detector	Yes
Manufacturer's Warranty	5 years
Settings via	Bus
With remote control	No
Version	DALI-2 Input Device - Surface wiring black
PU1, EAN	4007841088149
Type	Motion and Presence Detector
Application, place	Indoors
Application, room	one-person office, function room / ancillary room, Indoors, warehouse
Colour	black
Includes corner wall mount	No
Installation site	ceiling
Installation	Surface wiring, Ceiling
IP-rating	IP54
Ambient temperature	from -20 up to 50 °C
Material	Plastic
Power supply, detail	DALI bus
Technology, sensors	passive infrared, Light sensor

Mounting height	2 – 4 m
Mounting height max.	4,00 m
Optimum mounting height	2,8 m
Detection angle	360 °
Capability of masking out individual segments	Yes
Electronic scalability	No
Mechanical scalability	No
Reach, radial	Ø 4.5 m (16 m <sup>2</sup> )
Reach, tangential	Ø 8 m (50 m <sup>2</sup> )
Reach, presence	Ø 6 m (28 m <sup>2</sup> )
Switching zones	492 switching zones
Cover material	shrouds
Functions	Motions sensor, Light sensor, Presence function, Presence detector logic
Type of interconnection	Master/master
Interconnection via	Cable
Max. Current consumption according to IEC 62386-101	84 mA
Typical current consumption at 16V input voltage	12 mA
Max. Current consumption at 10V input voltage in regular operation	17 mA
Product category	Motion and Presence Detector

## Accessories

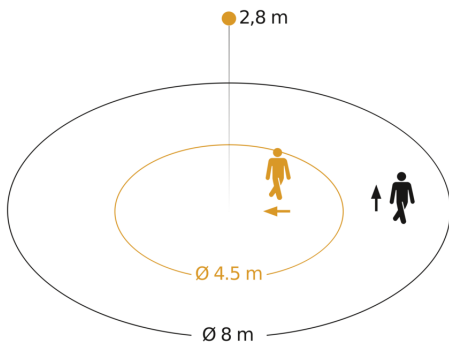
EAN 4007841 079543	Recessed adapter
EAN 4007841 009151	Remote control Smart Remote
EAN 4007841 592806	User remote control RC5
EAN 4007841 559410	Service remote control RC8

# PD-8 ECO

DALI-2 Input Device - Surface wiring black  
EAN 4007841 088149  
Article number 088149

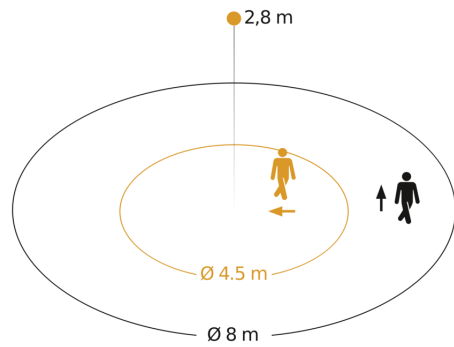


## Detection Zone 1



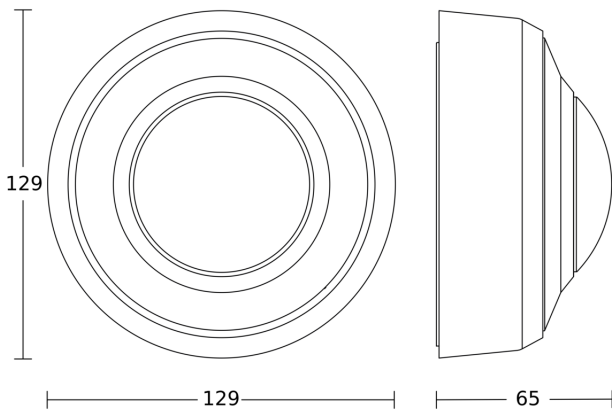
Possible mounting height: 2,00 m - 4,00 m  
Orange: radial  
Black: tangential

## Detection Zone 2

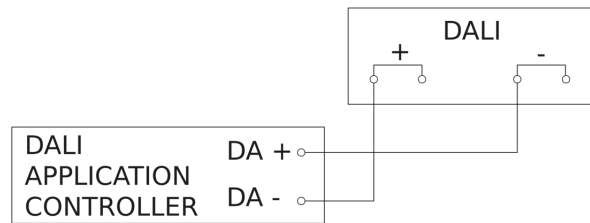


Possible mounting height: 2,00 m - 4,00 m  
Orange: radial  
Black: tangential

## Dimension Drawing



## Circuit diagram



# PD-8 ECO

DALI-2 Input Device - Surface wiring black  
EAN 4007841 088149  
Article number 088149



## Circuit diagram for interconnecting DALI-2 APC with DALI-2 IPD

